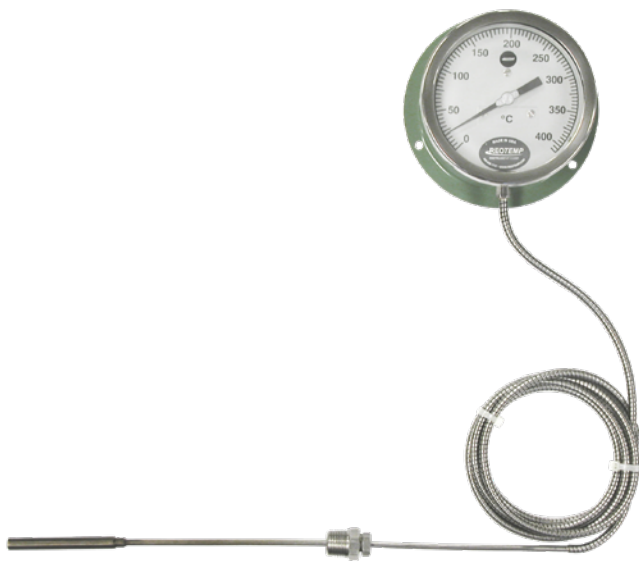


DIRECT DRIVE REMOTE THERMOMETER

REOTEMP's Rugged Direct Drive System makes our series 45G the right choice for temperature indication in heavy-duty or high vibration applications. The all-stainless steel case and internals, along with the direct drive system, result in superior instrument life in severe environments.

Available in Four Styles

- WALL MOUNTED
- FLUSH MOUNTED
- FRONT FLANGE
- ADJUSTABLE WALL



Accuracy



Custom Logo



Made in the USA

FEATURES / BENEFITS

- Accuracy $\pm 1\%$ of Range Span
- Can handle a wide temperature range up to 1200°F
- Heavy-Duty Vibration and Shock Resistant
- Stainless Steel Sealed Construction
- Various mounting options available

SPECIFICATIONS

Accuracy	$\pm 1\%$ of Range Span
Dial	4 1/2" Satin finish aluminum with black lines and numbers.
Case Material	Stainless Steel
Bulb	Stainless Steel Welded Construction
Actuation	Nitrogen through Stainless Steel Direct Drive Bourdon Coil
Pointer	Micrometer Adjustment Type
Lens	Gasket Sealed Glass (Standard); Plexi Glass
Capillary	Stainless steel protected by 1/4" diameter, Flexible Stainless Steel Armor or 3/16" diameter Plain Armor

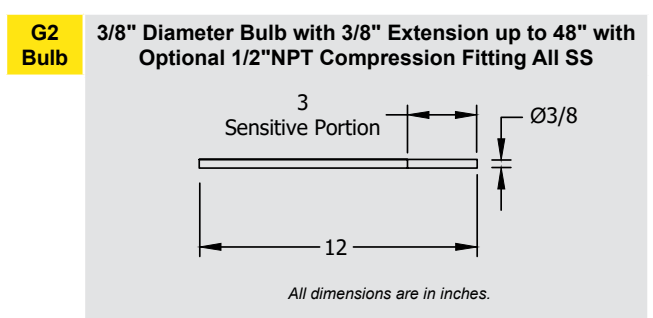
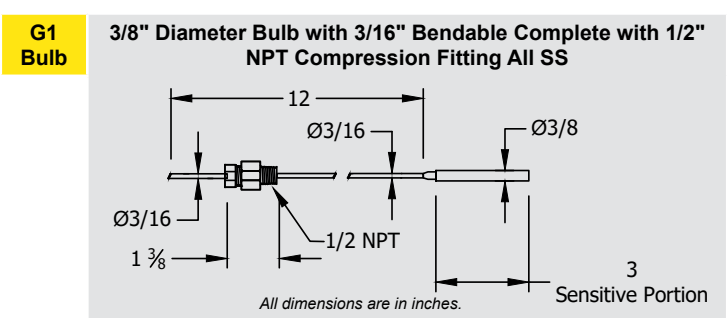
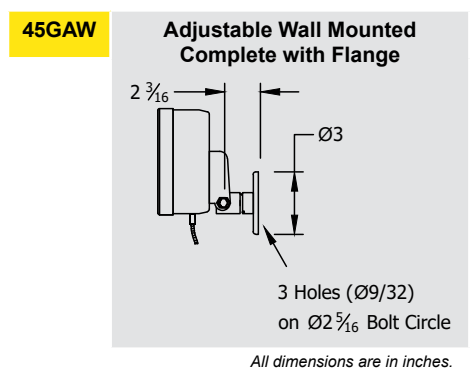
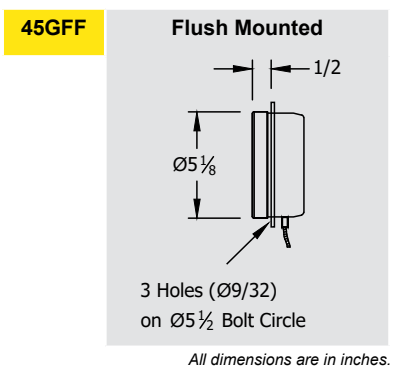
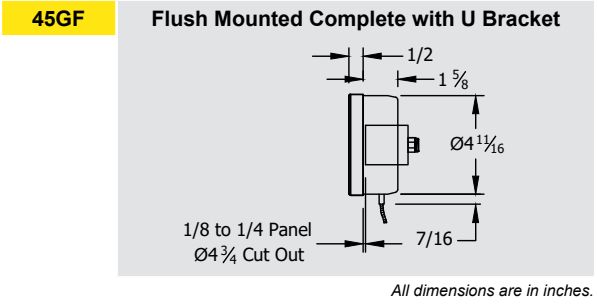
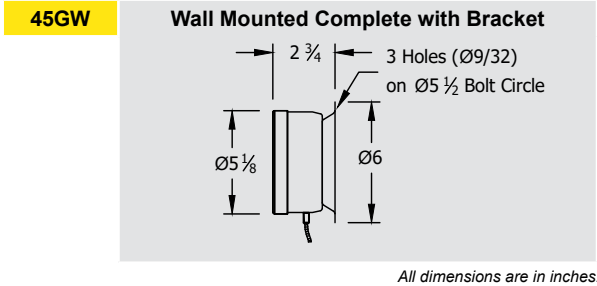
**NITROGEN FILLED
DIRECT DRIVE SYSTEM**



DIRECT DRIVE REMOTE THERMOMETER

HOW TO ORDER: Choose options to build a part number. For example: 45GW0500G112-EC

MODEL	ARMORED CAPILLARY LENGTH	TEMPERATURE RANGE	BULB TYPE	ACCESSORIES	
45GW	05	00	G112	-EC	
<p>45GW = Wall Mount</p> <p>45GF = Flush Mount</p> <p>45GFF = Front Flange with clamp</p> <p>45GAW = Adjustable Wall Mount</p>	<p>05 = 5 Feet</p> <p>06 = 6 Feet</p> <p>10 = 10 Feet</p> <p>?? = Specify Length in Feet</p> <p>Note: ?? = Length in feet (e.g. 05 = 5 feet)</p> <p>Note: Max length is?</p>	<p><i>Fahrenheit Ranges</i></p> <p>16 = -350°F to 150°F</p> <p>17 = -100°F to 100°F</p> <p>19 = -30°F to 120°F</p> <p>20 = -40°F to 200°F</p> <p>23 = 0°F to 150°F</p> <p>25 = 0°F to 200°F</p> <p>26 = 0°F to 240°F</p> <p>27 = 0°F to 300°F</p> <p>30 = 0°F to 400°F</p> <p>31 = 0°F to 500°F</p> <p>32 = 0°F to 600°F</p> <p>34 = 0°F to 800°F</p> <p>36 = 0°F to 1200°F</p>	<p><i>Celsius Ranges</i></p> <p>00 = -200°C to 100°C</p> <p>01 = -100°C to 100°C</p> <p>02 = -30°C to 60°C</p> <p>05 = -30°C to 120°C</p> <p>06 = -10°C to 150°C</p> <p>07 = 0°C to 100°C</p> <p>08 = 0°C to 200°C</p> <p>09 = 0°C to 240°C</p> <p>10 = 0°C to 300°C</p> <p>11 = 0°C to 400°C</p> <p>13 = 0°C to 500°C</p> <p>14 = 0°C to 600°C</p>	<p>G112 = 12" Bendable Extension with 1/2" NPT Compression Fitting (union)</p> <p>G118 = 18" Bendable Extension with 1/2" NPT Compression Fitting (union)</p> <p>G212 = 12" Plain Bulb with Rigid Extension</p> <p>G224 = 24" Plain Bulb with Rigid Extension</p>	<p>-EC = Electrical Contacts</p> <p>-MP = Max. Hand Pointer</p> <p>-SG = Tempered Glass</p> <p>-PY = Polycarbonate Crystal</p>
<p>Note: Thermowells should be used whenever the stem or bulb would be exposed to pressure, corrosion, velocity, abrasion or shear forces. Thermowells also make it possible to remove the thermometer without losing pressure or the contents of the process.</p>					



THERMOMETERS

DIRECT DRIVE ALL ANGLE THERMOMETER

REOTEMP's Rugged Direct Drive System makes our 45GR and 45LR the right choice for temperature indication in heavy-duty or high vibration applications. The all-stainless steel case and internals, along with the direct drive system, result in superior instrument life in severe environments.



Model 45GR



Model 45LR



Accuracy



Custom Logo



Made in the USA

FEATURES / BENEFITS

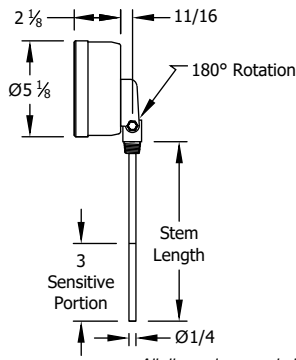
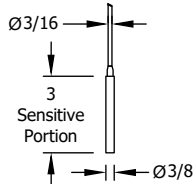
- Accuracy $\pm 1\%$ of Range Span
- Can handle a wide temperature range up to 1200°F.
- Heavy-Duty Vibration and Shock Resistant
- Stainless Steel Sealed Construction
- Adjustable to any angle.

SPECIFICATIONS

Accuracy	$\pm 1\%$ of Range Span
Dial	4 1/2" Satin finish aluminum with black lines and numbers.
Case Material	Stainless Steel
Bulb	Stainless Steel Welded Construction
Actuation	45LR - Inert Liquid thru Stainless Steel Direct Drive Bourdon Coil. 45GR - Nitrogen thru Stainless Steel Direct Drive Bourdon Coil.
Pointer	Micrometer Adjustment Type
Lens	Gasket Sealed Glass (Standard); Polycarbonate



EVERY ANGLE



All dimensions are in inches.

HOW TO ORDER: Choose options to build a part number. For example: 45GR0400-ST6316

45GR

MODEL

04

STEM LENGTH

00

TEMPERATURE RANGE

-ST6316

ACCESSORIES

45GR = Gas Actuated,
3/8" Stem
45LR = Inert Liquid
Actuated, 1/4"
Stem

04 = 4"
06 = 6"
09 = 9"
12 = 12"
15 = 15"
18 = 18"
24 = 24"

Fahrenheit Ranges
16 = -350°F to 150°F
17 = -100°F to 100°F
19 = -30°F to 120°F
20 = -40°F to 200°F
23 = 0°F to 150°F
25 = 0°F to 200°F
26 = 0°F to 240°F
27 = 0°F to 300°F
30 = 0°F to 400°F
31 = 0°F to 500°F
32 = 0°F to 600°F
34 = 0°F to 800°F
36 = 0°F to 1200°F

Celsius Ranges
00 = -200°C to 100°C
01 = -100°C to 100°C
02 = -30°C to 60°C
05 = -30°C to 120°C
06 = -10°C to 150°C
07 = 0°C to 100°C
08 = 0°C to 200°C
09 = 0°C to 240°C
10 = 0°C to 300°C
11 = 0°C to 400°C
13 = 0°C to 500°C
14 = 0°C to 600°C

-EC = Electrical Contacts
-MP = Max. Hand Pointer
-SG = Tempered Glass
-PY = Polycarbonate Crystal

STANDARD THERMOWELLS WITH 3/4" NPT & 316SS

Stem Length	"U" Dim.	1/4" Element	3/8" Element
4"	2.5"	ST4316	ST4316-B3
6"	4.5"	ST6316	ST6316-B3
9"	7.5"	ST9316	ST9316-B3

For Additional Thermowell Types, See Pages 160-166