

OFC Flow Orifice Plate Model Code

OFC - T1 - T2 - T3 - T4 - T5 - T6

OFC Flow Orifice Plate - Paddle Style

T1	Material
316	316/316L stainless steel
Other	Consult factory

T2		Line Size	
Code	Size	Code	Size
0.5	1/2"	6	6"
0.75	3/4"	8	8"
1	1"	10	10"
1.5	1-1/2"	12	12"
2	2"	14	14"
2.5	2.5"	16	16"
3	3"	18	18"
4	4"	20	20"
5	5"	24	24"

T3	Bore Type
C	Concentric
Other	Consult factory

T4	Rating
150	Class 150
300	Class 300
600	Class 600
900/1500	Class 900/1500
2500	Class 2500

T5	Plate Thickness ³
A	0.125"
B	0.250"
C	0.375"
D	0.500"

T6	Bore Diameter
(Inches)	Specify bore diameter (inches)

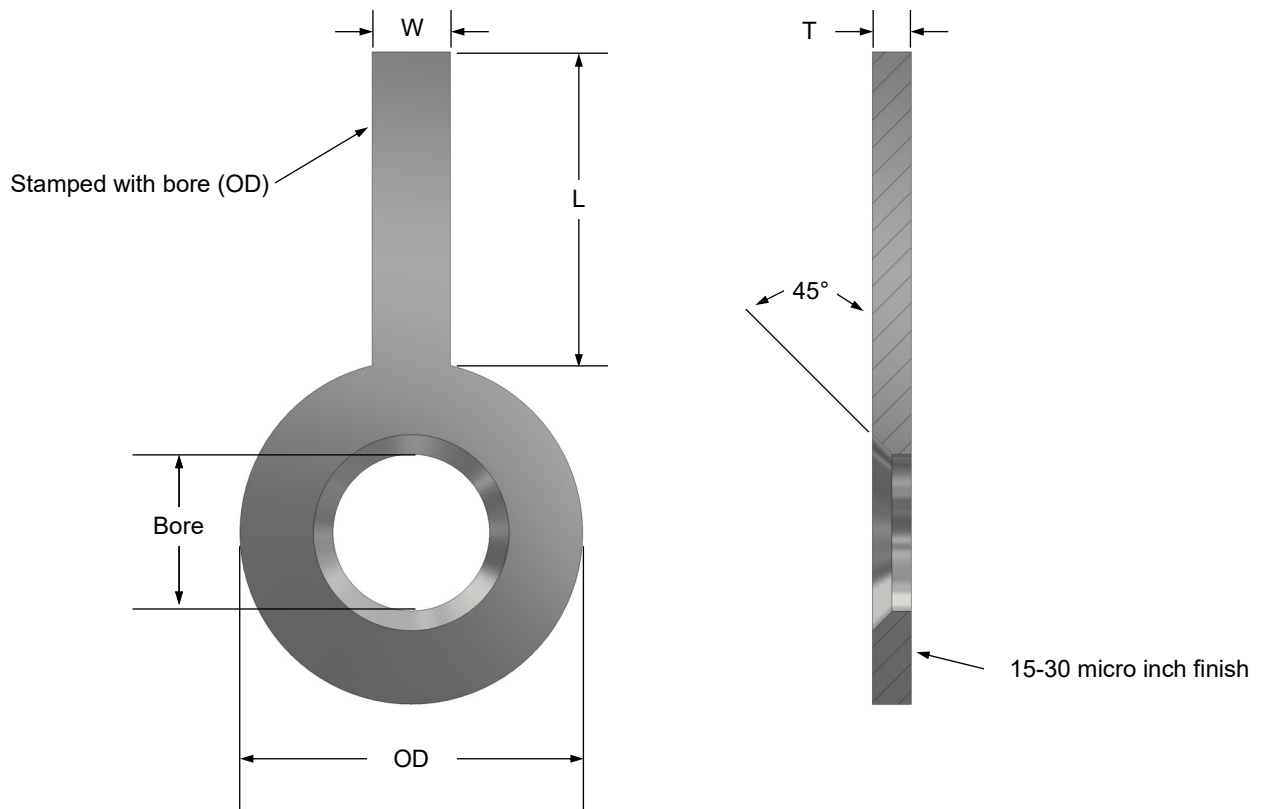
Bore Tolerances	
Orifice Bore	+/- Tolerance
< 0.250"	0.0010"
0.250" - 0.499"	0.0010"
0.500" - 1.999"	0.0010"
2.000" - 3.999"	0.0015"
4.000" - 9.999"	0.0020"
10.000" - 19.999"	0.0050"
> 20.000"	0.0100"

NOTES:

1. Part number example: OFC-316-2-C-300-A-0.250
2. Universal orifice plates are completely interchangeable in orifice flange sets and assemblies
3. Reference page 2 for part outline and dimensions
4. Orifice plates manufactured to the following standards: AGA Report 3, Part 2, April 2000, API 14.3.2, 2000, GPA 8185-00, ASME MFC- 3M (2003), ISO -5167-2 (2003)
5. Consult factory for orifice plate sizing calculation if required
6. Bold text indicates most common part selections



OFC Flow Orifice Plate Outline & Dimensions



Line Size	150#	300#	600#	900#	1500#	All Ratings			Orifice Edge Thickness
	OD	OD	OD	OD	OD	T	W	L	
1/2"	1.875	2.125	2.125	2.500	2.500	0.125	1.00	4.00	1/64"
3/4"	2.250	2.625	2.625	2.750	2.750	0.125	1.00	4.00	
1"	2.625	2.875	2.875	3.125	3.125	0.125	1.00	4.00	
1-1/2"	3.375	3.750	3.750	3.875	3.875	0.125	1.00	4.00	
2"	4.125	4.375	4.375	5.625	5.625	0.125	1.00	4.00	
2-1/2"	4.875	5.125	5.125	6.500	6.500	0.125	1.00	4.00	1/32"
3"	5.375	5.875	5.875	6.625	6.875	0.125	1.00	4.00	
4"	6.875	7.125	7.625	8.125	8.250	0.125	1.00	4.00	
5"	7.750	8.500	9.500	9.750	10.00	0.125	1.00	4.00	1/16"
6"	8.750	9.875	10.500	11.375	11.125	0.125	1.00	5.00	
8"	11.000	12.125	12.625	14.125	13.875	0.125	1.00	5.00	1/8"
10"	13.375	14.250	15.750	17.125	17.125	0.125	1.00	5.00	
12"	16.125	16.625	18.00	19.625	20.500	0.250	1.25	5.00	
14"	17.75	19.125	19.375	20.500	—	0.250	1.25	5.00	
16"	20.25	21.250	22.250	22.625	—	0.250	1.25	5.00	
18"	21.625	23.50	24.125	25.125	—	0.250	1.25	5.00	
20"	23.875	25.750	26.875	27.500	—	0.250	1.25	5.00	
24"	28.25	30.50	31.125	33.000	—	0.250	1.25	5.00	