

# ORC Restriction Orifice Plate Model Code

ORC - T1 - T2 - T3 - T4 - T5 - T6

## ORC Restriction Orifice Plate - Paddle Style

T1	Material
<b>316</b>	<b>316/316L stainless steel</b>
Other	Consult factory

T2 Line Size			
Code	Size	Code	Size
0.5	1/2"	6	6"
0.75	3/4"	8	8"
1	1"	10	10"
1.5	1-1/2"	12	12"
<b>2</b>	<b>2"</b>	14	14"
2.5	2.5"	16	16"
3	3"	18	18"
<b>4</b>	<b>4"</b>	20	20"
5	5"	24	24"

T3	Bore Type
<b>C</b>	<b>Concentric</b>
Other	Consult factory

T4	Rating
150	Class 150
300	Class 300
600	Class 600
900/1500	Class 900/1500
2500	Class 2500

T5	Plate Thickness <sup>3</sup>
<b>A</b>	<b>0.125"</b>
B	0.250"
C	0.375"
D	0.500"

T6	Bore Diameter
(Inches)	Specify bore diameter (inches)

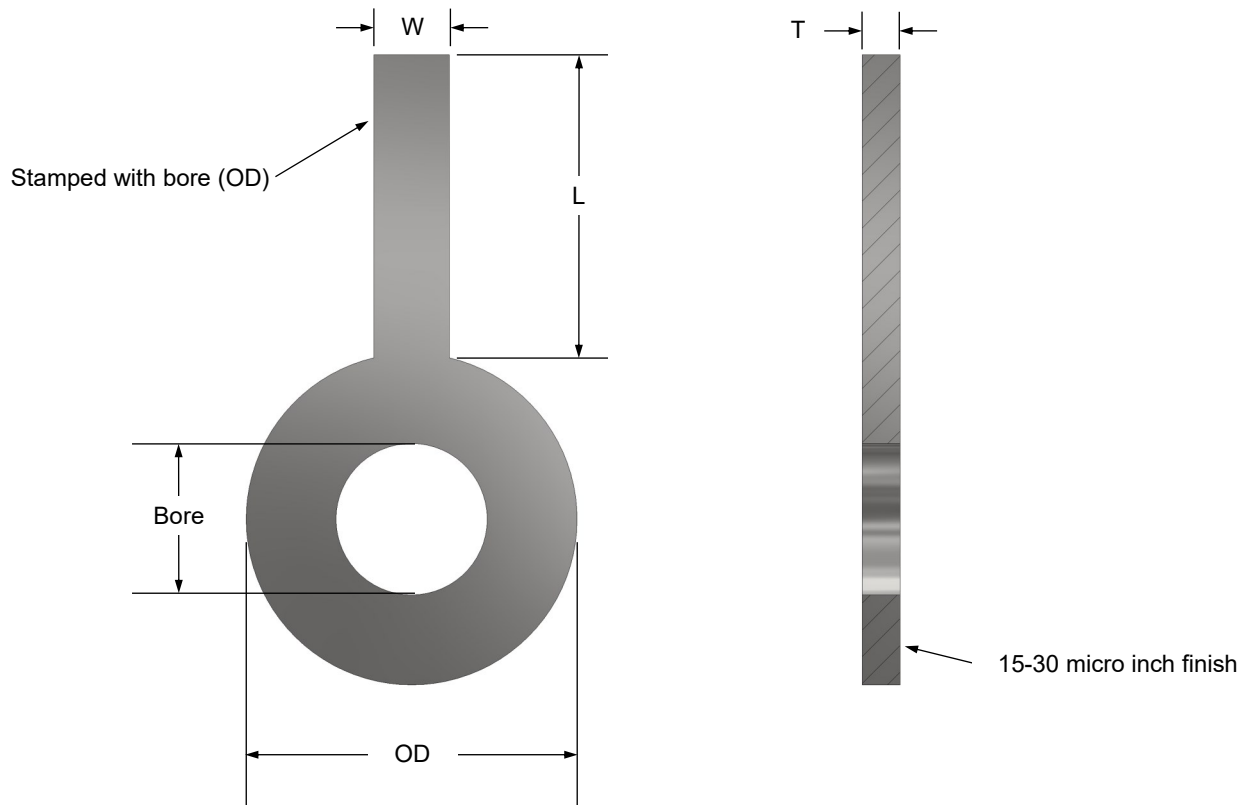
Bore Tolerances	
Orifice Bore	+/- Tolerance
< 0.250"	0.0010"
0.250" - 0.499"	0.0010"
0.500" - 1.999"	0.0010"
2.000" - 3.999"	0.0015"
4.000" - 9.999"	0.0020"
10.000" - 19.999"	0.0050"
> 20.000"	0.0100"

### NOTES:

1. Part number example: ORC-316-2-C-300-A-0.250
2. Universal orifice plates are completely interchangeable in orifice flange sets and assemblies
3. Reference page 2 for part outline and dimensions
4. Orifice plates manufactured to the following standards: AGA Report 3, Part 2, April 2000, API 14.3.2, 2000, GPA 8185-00, ASME MFC- 3M (2003), ISO -5167-2 (2003)
5. Consult factory for orifice plate sizing calculation if required
6. Bold text indicates most common part selections



# ORC Restriction Orifice Outline & Dimensions



Line Size	150#	300#	600#	900#	1500#	All Ratings			Orifice Edge Thick-
	OD	OD	OD	OD	OD	T	W	L	
1/2"	1.875	2.125	2.125	2.500	2.500	0.125	1.00	4.00	1/64"
3/4"	2.250	2.625	2.625	2.750	2.750	0.125	1.00	4.00	
1"	2.625	2.875	2.875	3.125	3.125	0.125	1.00	4.00	
1-1/2"	3.375	3.750	3.750	3.875	3.875	0.125	1.00	4.00	
2"	4.125	4.375	4.375	5.625	5.625	0.125	1.00	4.00	1/32"
2-1/2"	4.875	5.125	5.125	6.500	6.500	0.125	1.00	4.00	
3"	5.375	5.875	5.875	6.625	6.875	0.125	1.00	4.00	1/16"
4"	6.875	7.125	7.625	8.125	8.250	0.125	1.00	4.00	
5"	7.750	8.500	9.500	9.750	10.00	0.125	1.00	4.00	
6"	8.750	9.875	10.500	11.375	11.125	0.125	1.00	5.00	
8"	11.000	12.125	12.625	14.125	13.875	0.125	1.00	5.00	1/8"
10"	13.375	14.250	15.750	17.125	17.125	0.125	1.00	5.00	
12"	16.125	16.625	18.00	19.625	20.500	0.250	1.25	5.00	
14"	17.75	19.125	19.375	20.500	—	0.250	1.25	5.00	
16"	20.25	21.250	22.250	22.625	—	0.375	1.25	5.00	
18"	21.625	23.50	24.125	25.125	—	0.375	1.25	5.00	
20"	23.875	25.750	26.875	27.500	—	0.375	1.25	5.00	
24"	28.25	30.50	31.125	33.000	—	0.375	1.25	5.00	