

UFC Universal Style Flow Orifice Plate

Model Code

UFC - T1 - T2 - T3 - T4 - T5

UFC Universal Style - Flow Orifice Plate - Bevel

T1	Material
316	316/316L stainless steel
Other	Consult factory

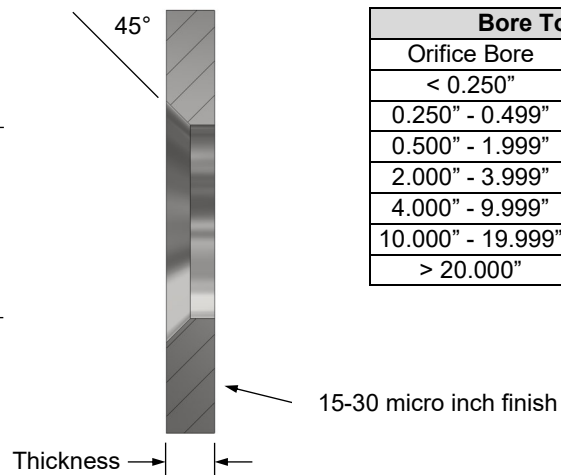
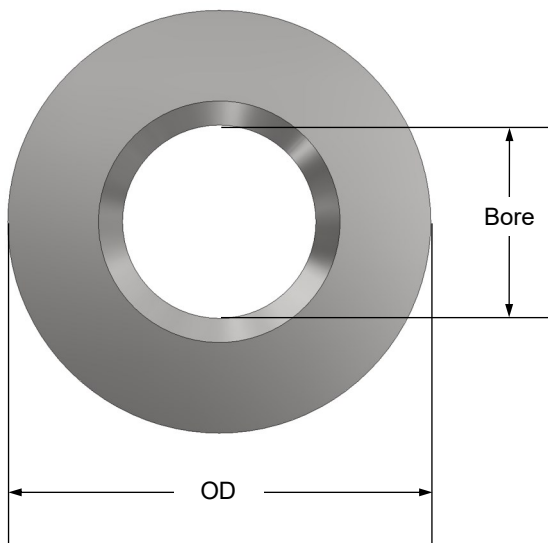
T2		Line Size			
Code	Size	OD (in)	Code	Size	OD (in)
0.5	1/2"	1.000	8	8"	8.4375
0.75	3/4"	1.125	10	10"	10.6875
1	1"	1.3125	12	12"	12.5938
1.5	1-1/2"	2.000	14	14"	14.000
2	2"	2.4375	16	16"	16.000
2.5	2.5"	2.8125	18	18"	18.000
3	3"	3.4375	20	20"	20.000
4	4"	4.4062	24	24"	24.000
6	6"	6.4375	26	26"	26.000

T3	Bore Type
C	Concentric
Other	Consult factory

T4	Plate Thickness
A	0.125" (standard for line size 1/2" to 8")
B	0.250" (standard for line size 1/2" to 8")
C	0.375" (standard for line size 1/2" to 8")

T5	Bore Diameter (inches)
0.000	Specify bore diameter to 3 decimal places

Outline & Dimensions



Bore Tolerances	
Orifice Bore	+/- Tolerance
< 0.250"	0.0010"
0.250" - 0.499"	0.0010"
0.500" - 1.999"	0.0010"
2.000" - 3.999"	0.0015"
4.000" - 9.999"	0.0020"
10.000" - 19.999"	0.0050"
> 20.000"	0.0100"

NOTES:

1. Part number example: UFC-316-4-C-A-0.250
2. Universal orifice plates are manufactured to the same recommendations and standard as paddle style orifice plates
3. Universal orifice plates are completely interchangeable in all orifice fittings and RTJ plate holders
4. Orifice plates manufactured to the following standards: AGA Report 3, Part 2, April 2000, API 14.3.2, 2000, GPA 8185-00, ASME MFC- 3M (2003), ISO -5167-2 (2003)
5. Consult factory for orifice plate sizing calculation if required
6. Bold text indicates most common part selections

