

MECHANICAL PRESSURE SWITCH



PS

REOTEMP's Mechanical Pressure Switches are suited for a variety of process applications where electrical devices must be turned on or off, in response to changing process pressure.



Diaphragm Seal
Compatible



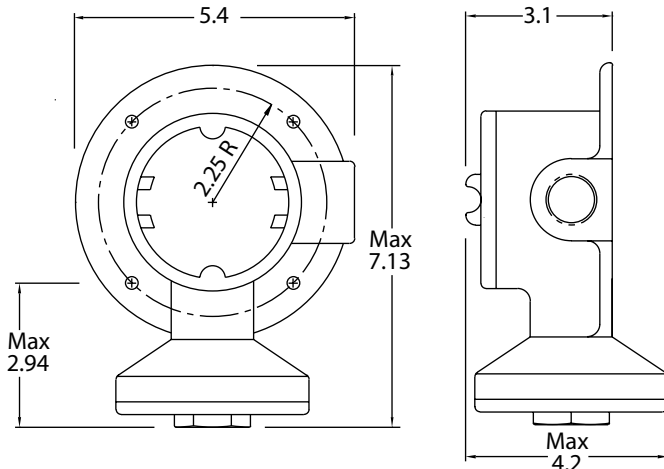
FEATURES / BENEFITS

- Reliable Piston-Actuated, Force Balanced Construction
- Rugged, High Cycle Rate Tolerance
- Precise Resolution of Set Points
- Field-adjustable Set Points
- Simple Installation Requiring no Special Tools
- Long Service Life - no Required Periodic Service, no Spare Parts Required
- UL, CSA Certified Switching Elements

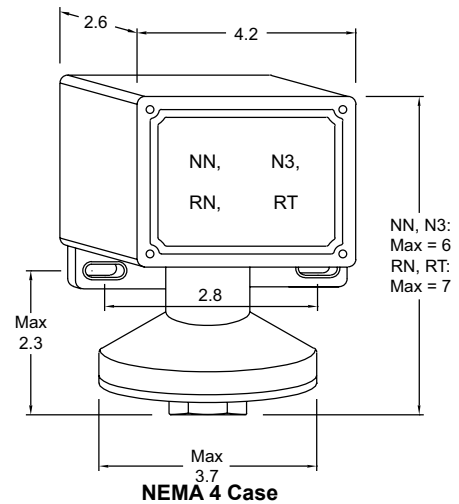
SPECIFICATIONS

| | |
|-------------------------------|--|
| Switching Elements | SPDT or DPDT |
| Current Capacity | 15A at 250VAC; 5A at 30VAC |
| Housing | NEMA4, 4X, or Explosion Proof (Class. 1, Group C&D; Class. 2, Group E,F,G, Division 1,2) |
| Electrical Outlet | 3/4" NPTF |
| Adjustable Setpoints | From full vacuum to 550 psi. |
| Wetted Diaphragm | Teflon/Buna, 316SS/Viton. |
| Wetted Pressure Points | 316SS, Aluminum, Cast Iron |
| Overrange | 200 psi to 1,500 psi |
| Warranty | 3 years |

Note: Specifications are for standard switches shown on next page. A wide variety of alternative housings, ranges, switches, wetted parts and options are available.



Explosion Proof Case



NEMA 4 Case

MECHANICAL PRESSURE SWITCH

HOW TO ORDER: Choose options to build a part number. For example: **PS1264N3KM4C1-YY**

PS1264

N3

K

M4

| PRESSURE RANGE (SET POINT MUST BE WITHIN RANGE) | | | | | HOUSING | SWITCH | DIAPHRAGM |
|--|----------|---------------|-----------------|------------------------------------|---|--|--|
| Overrange | Proof | Code | Range | Typical Dead Band (At Midpoint) | <i>Weather Tight NEMA 4, 4X, IP65</i> NN = Aluminum, One Outlet (R) N3 = Aluminum, Two Outlets (L+R) RN = Aluminum, with 6-place Terminal Block, One Outlet (R) RT = 316SS, with 6-place Terminal Block, One Outlet (R) <i>Explosion Proof (Class 1, Group C&D; Class II, Group E,F&G, Division. 1,2</i> L = Cast Iron, One Outlet (R), Housing is Weather Tight with CG Option (If selecting the KK switch, select housing code LC , LC Housing is Copper-free aluminum.) | <i>Switches are 15A@250VAC, 5A@30vDC</i> K = Single (SPDT) KK = Dual (DPDT), 6x Dead Band Multiplier | N4 = Teflon Coated Polyamide with Buna O-ring M4 = 316SS with Viton O-ring (Required with 56- ranges) Wetted |
| <i>Pressure</i> | | | | | | | |
| 200 psi | 400 psi | PS1264 | 2.5-45 INWC | 0.8 INWC | | | |
| | | PS1220 | 0.4-2 psi | 0.1 psi | | | |
| | | PS1250 | 0.75-12 psi | 0.1 psi | | | |
| 750 psi | 1000 psi | PS0440 | 2-25 psi | 0.3 psi | | | |
| | | PS0450 | 3-50 psi | 0.4 psi | | | |
| 1500 psi | 2500 psi | PS0630 | 12-100 psi | 0.9 psi | | | |
| | | PS0650 | 20-180 psi | 1.4 psi | | | |
| | | PS0530 | 25-240 psi | 2.2 psi | | | |
| | | PS0545 | 45-550 psi | 3.9 psi | | | |
| <i>Vacuum</i> | | | | | | | |
| 750 psi | 1000 psi | PS5418 | -30" Hg | 0.5 Hg | | | |
| <i>Compound</i> | | | | | | | |
| 200 psi | 400 psi | PS5217 | -40/0/40 INWC | 1.1 INWC | | | |
| 1500 psi | 2500 psi | PS5626 | -30 Hg/0/10 psi | 1" Hg/.5 psi | | | |
| | | PS5636 | -30 Hg/0/80 psi | 1.4" Hg/.7 psi | | | |

C1

-YY

| PRESSURE PORT | OPTIONS |
|---|---|
| 316SS C1 = 1/4" NPTF C2 = 1/2" NPTF <i>Sanitary 3A Tri-Clamp, Max. 600 psi with Standard Clamp</i> C8 = 1 1/2" Tri-Clamp (Ranges 05-, 06-, 56-) C9 = 2" Tri-Clamp (Ranges 04-, 05-, 06-, 54-, 56-) <i>Aluminum (Available on ranges beginning: 12, 04, 52, 54)</i> B1 = 1/4" NPTF B2 = 1/2" NPTF <i>Cast Iron (Available on ranges beginning 06, 05, 56)</i> F1 = 1/4" NPTF F2 = 1/2" NPTF | -MM = Vacuum Protector Plate (Standard with Vacuum + Compound Range) -CG = Cemented Cover Gasket -YY = Exterior Epoxy Coating -TS = Stainless Steel Tag (1-10 Characters) -SP = Specify Set Point (Set by Factory, N/C) Example: SP 50A = 50 psi Ascending. If set point is not specified, factory will set at mid point. |
| Wetted | |

TRANSMITTERS

Tri-Clamp® is a registered trademark of Alpha Laval Inc.