



# NON-INCENDIVE

## Pressure Transducer / Transmitter AST4300

### Overview

The AST4300 is a stainless steel pressure transducer / transmitter for use in hazardous areas. In addition to its rugged construction and best price-to-performance ratio in the industry, the AST4300 is the solution for pressure measurement for a variety of applications.

### Benefits

- Class I Div 2 Groups A, B, C, D
- ATEX / IECEx: Ex nA IIC T4 Gc (Ta = -40°C to 85°C) for conduit electrical connections
- High Strength Stainless Steel Construction
- No Oil, Welds or Internal O-rings
- Wide Operating Temperature
- Pressures from Vacuum to 20,000 PSI
- Low Static and Thermal Errors
- Unparalleled Price and Performance
- Compatible with Wide Variety of Liquids and Gases
- EMI/RFI Protection

## NON-INCENDIVE

AST4300 Pressure Transducer / Transmitter

### Applications

- Refrigeration
- Water Management
- Industrial OEM Equipment
- Oil & Gas Platforms
- Pressure Instrumentation
- Process Control
- Gas Compression & Storage
- Test Stands
- Oxygen Delivery Systems
- Hydrogen Fuel (316L)

### Performance @ 25°C (77°F)

<b>Accuracy</b>	< ±0.25% BFSL (<±0.5% from 7,500 up to 20,000 PSI)
<b>Stability (1 year)</b>	±0.25% FS, typical
<b>Over Range Protection</b>	2X Rated Pressure, Minimum
<b>Burst Pressure</b>	5X or 40,000 PSI (whichever is less)
<b>Pressure Cycles</b>	>100 Million

### Environmental Data

#### Temperature

<b>Operating</b>	-40 to 80°C (-40 to 176°F)
<b>Storage</b>	-40 to 100°C (-40 to 212°F)

0-100% relative humidity, non-condensing

#### Thermal Limits

**Compensated Range** 0 to 55°C (32 to 132°F)

<b>TC Zero</b>	<±1.5% of FS
<b>TC Span</b>	<±1.5% of FS

#### Other

<b>Shock</b>	EN 60068-2-27
<b>Vibration</b>	EN 60068-2-6, 60068-2-64, and IEC 68-2-32
<b>EMI/RFI Protection:</b>	Yes
<b>Rating:</b>	IP-66, min

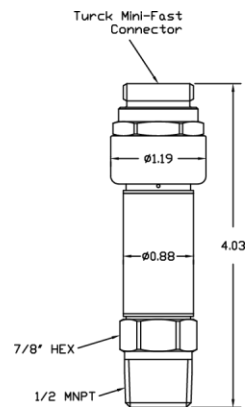
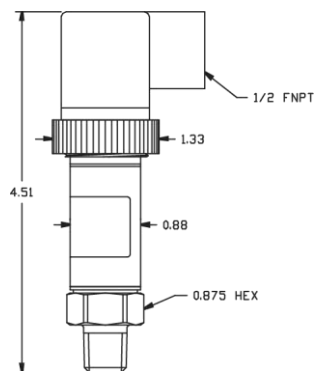
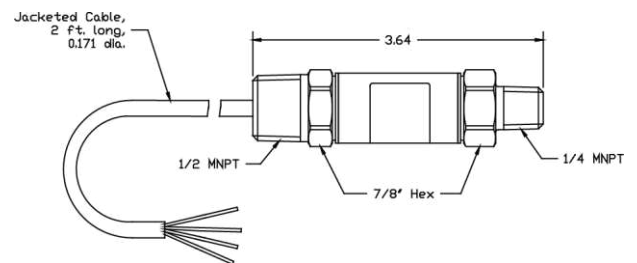
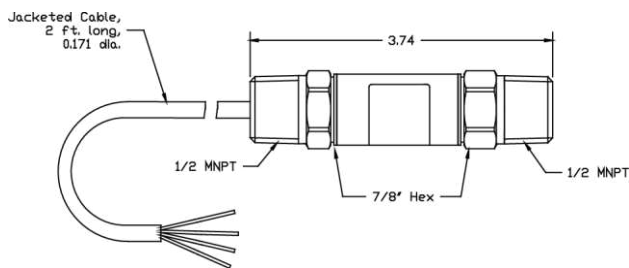
## NON-INCENDIVE

AST4300 Pressure Transducer / Transmitter

### Electrical Data

<b>Output</b>	4-20mA	1-5VDC, 1-6VDC	0.5-4.5V Ratiometric
<b>Excitation</b>	10-28VDC	10-28VDC	5VDC, regulated
<b>Output Impedance</b>	>10k Ohms	<100 Ohms, Nominal	<100 Ohms, Nominal
<b>Current Consumption:</b>	20mA, typical	5mA, typical	5mA, typical
<b>Bandwidth</b>	(-3dB): DC to 250 Hz	(-3dB): DC to 1kHz	(-3dB): DC to 1kHz
<b>Output Noise</b>	-	<2mV RMS	<2mV RMS
<b>Zero Offset:</b>	<±1% of FS	<±1% of FS	<±1% of FS
<b>Span Tolerance:</b>	<±2% of FS	<±1.5% of FS	<±1.5% of FS
<b>Output Load:</b>	0-800 Ohms@10-28VDC	10k Ohms, Min.	10K Ohms, Min.
<b>Reverse Polarity Protection</b>	Yes	Yes	Yes

### Dimensions



## NON-INCENDIVE

AST4300 Pressure Transducer / Transmitter

### Ordering Information

<b>AST4300</b>	<b>A</b>	<b>00500</b>	<b>P</b>	<b>4</b>	<b>L</b>	<b>1</b>	<b>000</b>	<b>-SS</b>
<b>Series Type</b>								
<b>Process Connection</b>								
A= 1/4" NPT Male B= 1/8" NPT Male* C= 1/4" BSPP Male I= 1/4" NPT Female** P= 1/2" NPT Male W= F250C Female Autoclave*** <i>*Not available under 50PSI (not available in 316L) **Pressures up to 15,000 PSI ***Pressures from 10,000 to 20,000 PSI, not available in 316L</i>								
<b>Pressure Range</b>								
Insert 5-digit pressure range code (example: 0-100 PSI = 00100) Ranges between 0-25 PSI and 0-20,000 PSI available. Compound pressure up to -14.7 to 500 PSI.								
<b>Pressure Unit</b>								
B= Bar      K= kg/cm2      P= PSI								
<b>Outputs</b>								
1= 0.5-4.5V ratiometric      4= 4-20mA (2 wire loop powered) 3= 1-5V      6= 1-6V								
<b>Electrical</b>								
I= DIN 43650A L= Conduit fitting, Cable 2 ft. (0.6 m) M= Conduit fitting, Cable 4 ft. (1.2 m) N= Conduit fitting, Cable 6 ft. (1.8 m) P= Conduit fitting, Cable 10 ft. (3.0 m) 4 = Mini-Fast (CSA Only)								
<b>Wetted Material</b>								
0= 17-4PH      1= 316L      2= Inconel 718      4= Hastelloy C276								
<b>Options</b>								
000= No Options								
<b>Approval</b>								
(Left Blank)= UL ANSI/ISA 12.12.01 Class I Div 2 Non-Incendive Groups A, B, C, D (formerly UL1604)								
-SS	CSA213 Class I Div 2 Non-Incendive Groups A, B, C, D and ANSI/ISA 12.27.01 Single Seal Approval							
-Z	CRN Registered to ANSI/ASME B31.3. Contact factory for material, pressure, and process connection options (includes -SS approvals)							

Note: CSA approved products require case/earth ground electrical connection. See wiring installation sheet for further details

#### NORTH AMERICA

American Sensor Technologies, Inc. (AST),  
 a TE Connectivity Company  
 Tel: 1 800-522-6752  
 Email: [customercare.molive@te.com](mailto:customercare.molive@te.com)

#### ASIA

Hong Kong Sensor Technologies (HKST),  
 a TE Connectivity Company  
 Tel: 86 0400-820-6015  
 Email: [customercare.shzn@te.com](mailto:customercare.shzn@te.com)

#### TE.com/sensorsolutions

Measurement Specialties, Inc., a TE Connectivity company.

Measurement Specialties, TE Connectivity, TE Connectivity (logo) and EVERY CONNECTION COUNTS are trademarks. All other logos, products and/or company names referred to herein might be trademarks of their respective owners.

The information given herein, including drawings, illustrations and schematics which are intended for illustration purposes only, is believed to be reliable. However, TE Connectivity makes no warranties as to its accuracy or completeness and disclaims any liability in connection with its use. TE Connectivity's obligations shall only be as set forth in TE Connectivity's Standard Terms and Conditions of Sale for this product and in no case will TE Connectivity be liable for any incidental, indirect or consequential damages arising out of the sale, resale, use or misuse of the product. Users of TE Connectivity products should make their own evaluation to determine the suitability of each such product for the specific application.

© 2015 TE Connectivity Ltd. family of companies All Rights Reserved.