



LOW PRESSURE Non-Incendive Transducer / Transmitter AST43LP

Overview

The AST43LP is a low pressure Class I Division 2 stainless steel pressure transmitter for use in hazardous areas. In addition to its rugged construction and the best price-to-performance ratio in the industry, the AST43LP is the solution for low pressure measurement for a variety of applications.

Benefits

- Class I Div 2 Groups A, B, C, D
- ATEX / IECEx: Ex nA IIC T4 Gc (Ta = -40°C to 85°C) for conduit electrical connections
- High Strength Stainless Steel Construction
- No Welds or Internal O-rings
- Wide Operating Temperature
- Pressures from 0-1 to 0-15 PSI
- Low Static and Thermal Errors
- Unparalleled Price and Performance
- Compatible with Wide Variety of Liquids and Gases
- EMI/RFI Protection

LOW PRESSURE

AST43LP Pressure Transducer / Transmitter

Applications

- Flare Gas
- Water Management
- Industrial OEM Equipment
- Oil & Gas Platforms
- Pressure Instrumentation
- Process Control
- Gas Compression & Storage
- Test Stands
- Oxygen Delivery Systems
- External Tank Level

Performance @ 25°C (77°F)

Accuracy	< ±0.25% BFSL (<±0.5% for 0-1 PSI)
Stability (1 year)	±0.25% FS, typical
Over Range Protection	2X Rated Pressure, Minimum
Burst Pressure	5X or 75 PSI (whichever is less)
Pressure Cycles	>100 Million

Environmental Data

Temperature

Operating	-40 to 80°C (-40 to 176°F)
Storage	-40 to 100°C (-40 to 212°F)

0-100% relative humidity, non-condensing

Thermal Limits

Compensated Range 0 to 55°C (32 to 132°F)

TC Zero <±1.5% of FS

TC Span <±1.5% of FS

Other

Shock EN 60068-2-27

Vibration EN 60068-2-6, 60068-2-64, and IEC 68-2-32

EMI/RFI Protection: Yes

Rating: IP-66, min

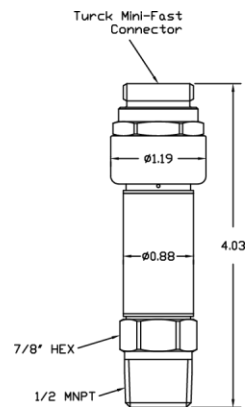
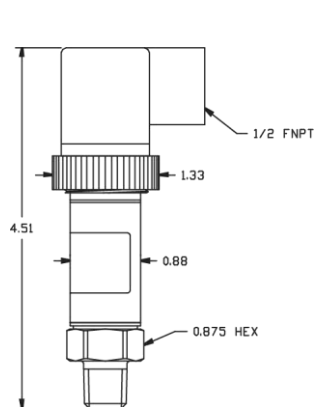
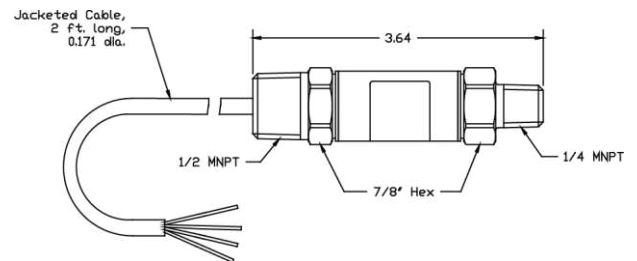
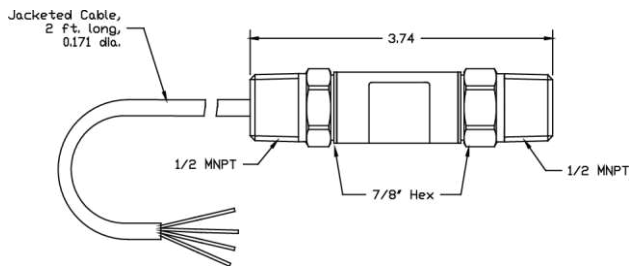
LOW PRESSURE

AST43LP Pressure Transducer / Transmitter

Electrical Data

Output	4-20mA	1-5VDC, 1-6VDC	0.5-4.5V Ratiometric
Excitation	10-28VDC	10-28VDC	5VDC, regulated
Output Impedance	>10k Ohms	<100 Ohms, Nominal	<100 Ohms, Nominal
Current Consumption:	20mA, typical	5mA, typical	5mA, typical
Bandwidth	(-3dB): DC to 250 Hz	(-3dB): DC to 1kHz	(-3dB): DC to 1kHz
Output Noise	-	<2mV RMS	<2mV RMS
Zero Offset:	<±1% of FS	<±1% of FS	<±1% of FS
Span Tolerance:	<±2% of FS	<±1.5% of FS	<±1.5% of FS
Output Load:	0-800 Ohms@10-28VDC	10k Ohms, Min.	10K Ohms, Min.
Reverse Polarity Protection	Yes	Yes	Yes

Dimensions



LOW PRESSURE

AST43LP Pressure Transducer / Transmitter

Ordering Information

AST43LP	A	00005	P	4	L	1	000	-SS
Series Type								
Process Connection A= 1/4" NPT Male C= 1/4" BSPP Male I= 1/4" NPT Female** P= 1/2" NPT Male T= G1/2 Male with Flush Diaphragm (see options)								
Pressure Range Insert 5-digit pressure range code (example: 0-5 PSI = 00005) Ranges between 0-1 PSI and 0-15 PSI available.								
Pressure Unit H= Inches H ₂ O P= PSI								
Outputs 1= 0.5-4.5V ratiometric 4= 4-20mA (2 wire loop powered) 3= 1-5V 6= 1-6V								
Electrical I= DIN 43650A L= Conduit fitting, Cable 2 ft. (0.6 m) M= Conduit fitting, Cable 4 ft. (1.2 m) N= Conduit fitting, Cable 6 ft. (1.8 m) P= Conduit fitting, Cable 10 ft. (3.0 m) 4 = Mini-Fast (CSA Only)								
Wetted Material 1= 316L 4= Hastelloy C276								
Options 000= No Options								
Approval (Left Blank)= UL ANSI/ISA 12.12.01 Class I Div 2 Non-Incendive Groups A, B, C, D (formerly UL1604)								
-SS	CSA213 Class I Div 2 Non-Incendive Groups A, B, C, D and ANSI/ISA 12.27.01 Single Seal Approval							

Note: CSA approved products require case/earth ground electrical connection. See wiring installation sheet for further details

NORTH AMERICA

American Sensor Technologies, Inc. (AST),
a TE Connectivity Company
Tel: 1 800-522-6752
Email: customercare.molive@te.com

ASIA

Hong Kong Sensor Technologies (HKST),
a TE Connectivity Company
Tel: 86 0400-820-6015
Email: customercare.shzn@te.com

TE.com/sensorsolutions

Measurement Specialties, Inc., a TE Connectivity company.

Measurement Specialties, TE Connectivity, TE Connectivity (logo) and EVERY CONNECTION COUNTS are trademarks. All other logos, products and/or company names referred to herein might be trademarks of their respective owners.

The information given herein, including drawings, illustrations and schematics which are intended for illustration purposes only, is believed to be reliable. However, TE Connectivity makes no warranties as to its accuracy or completeness and disclaims any liability in connection with its use. TE Connectivity's obligations shall only be as set forth in TE Connectivity's Standard Terms and Conditions of Sale for this product and in no case will TE Connectivity be liable for any incidental, indirect or consequential damages arising out of the sale, resale, use or misuse of the product. Users of TE Connectivity products should make their own evaluation to determine the suitability of each such product for the specific application.

© 2015 TE Connectivity Ltd. family of companies All Rights Reserved.