

PT2 Ceramic Protection Tube Model Code

PT2 - T1 - T2 - T3 - T4 - T5 - T6 - T7 - T8

PT2 Ceramic Protection Tube

T1 Connection Style

NP	Pipe nipple, threaded both ends
BP	Fixed bushing
NPI	Pipe nipple, threaded one end

T2 Tube Material

MPT	Mullite (1650°C max)
APT	Alumina (1800°C max)
ZPT	Zirconia (2350°C max)
MCT	Metal Ceramic (1537°C max)
SCT	Silica Carbide (1650°C max)

T3 Connection Head

X	Not Required
2SS	316 Stainless, 1/2" x 3/4"
3SS	316 Stainless 3/4" x 3/4"
0AL	Aluminum, 1/4" x 3/4"
2CI	Iron Alloy, 1/4" x 3/4"
Other	Consult factory

T4 Assembly Type

C	Complete with thermocouple²
T	Protection tube only

T5 Tube Size and Process Connection

14	0.250" ID x 0.375" OD - 1/2" NPT
76	0.438" ID x 0.688" OD - 3/4" NPT
96	0.563" ID x 0.750" OD - 3/4" NPT
MCT	0.625" ID x 0.875" OD - 1" NPT (Only MCT option)
SCT	0.500" ID x 0.750" OD - 3/4" NPT (Only SCT option)

T6 Thermocouple Type²

X	Not required
K	Type K
R	Type R
S	Type S
B	Type B

T7 Specify "H" Length (inches)³

"inches"	Specify length in inches
X	Not applicable

T8 Specify "U" Length (inches)³

"inches"	Specify length in inches
----------	--------------------------

Thermocouple Sensor Details (T4. Option C)		
Tube Size	Type K Thermocouple (T6. Option K)	Type R,S,B Thermocouple (T6. Option R,S,B)
14	Ceramic insulator tube, 0.188" OD, 20 AWG	Ceramic insulator tube, 0.188" OD, 24 AWG
76	Ceramic insulators, 0.250" OD, 14 AWG	Ceramic insulator tube, 0.188" OD, 24 AWG
96	Ceramic insulators, 0.468" OD, 8 AWG	Ceramic insulator tube, 0.188" OD, 24 AWG
MCT	Ceramic insulators, 0.468" OD, 8 AWG	Ceramic insulator tube, 0.188" OD, 24 AWG
SCT	Ceramic insulators, 0.468" OD, 8 AWG	Ceramic insulator tube, 0.188" OD, 24 AWG

NOTES:

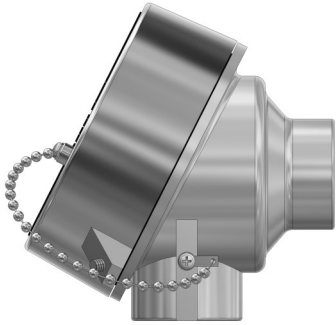
1. Part number example: PT2-X-APT-3CI-T-96-X-X-12 or PT2-NP-APT-3AL-C-96-K-6-18
2. Reference table for thermocouple sensor details
3. Reference page 2 for part outline and dimensions
4. Bold text indicates most common part selections
5. For replacement thermocouple (TC12BT & TC12PT) sizing use the following formula to find thermocouple "L" length:
Sensor "L" length = U + H



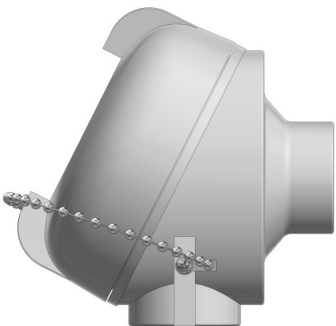
PT2 Protection Tube Outline & Dimensions

Connection Head

2SS



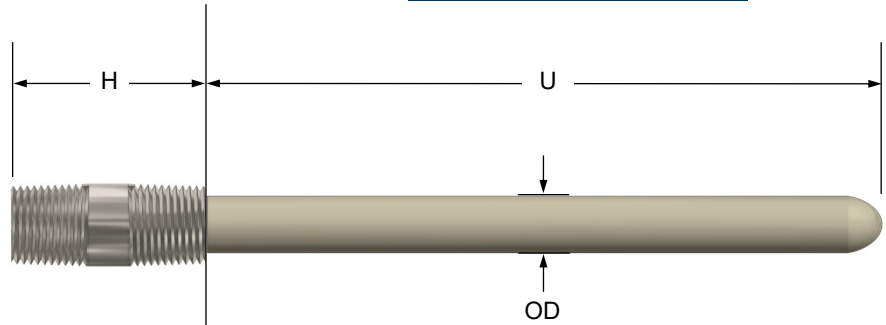
0AL



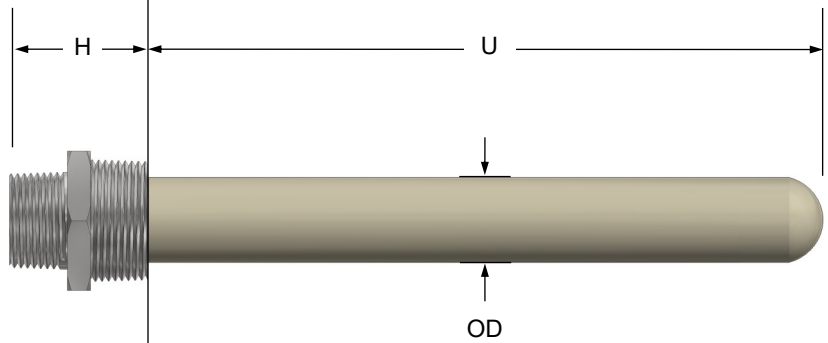
0CI



Protection Tube Style NP



Protection Tube Style BP



Protection Tube Style NPI

