

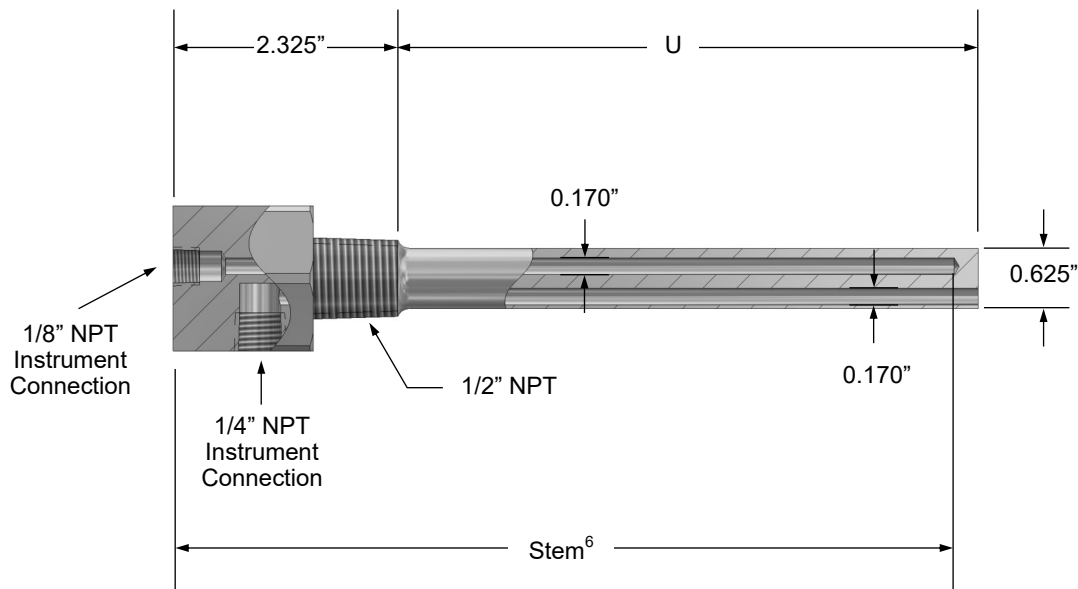
PTQ1 Pressure Temperature Quill

PTQ1 - T1

PTQ1 Pressure Temperature Quill - 0.170" Bore

T1	Quill "U" Length (inches)
2.625	2.625"
3.625	3.625"
4.625	4.625"
5.625	5.625"
6.625	6.625"
Other	Consult factory

Outline & Dimensions



NOTES:

1. Part number example: PTQ1-2.625
2. Material is 316/316L stainless steel
3. MAWP 4000psi
4. Canadian Registration Number (CRN) available
5. Temperature sensor probe outside diameter must be 0.125"
6. Stem length will equal $U + 2.235 - 0.250$
7. Bold text indicates most common part selections

