

SL227 Straight 0.260" Bore Lag Quill

Model Code

SL227 - T1 - T2 - T3 - T4

SL227 Straight - 0.260" Bore - Lag - Threaded Quill

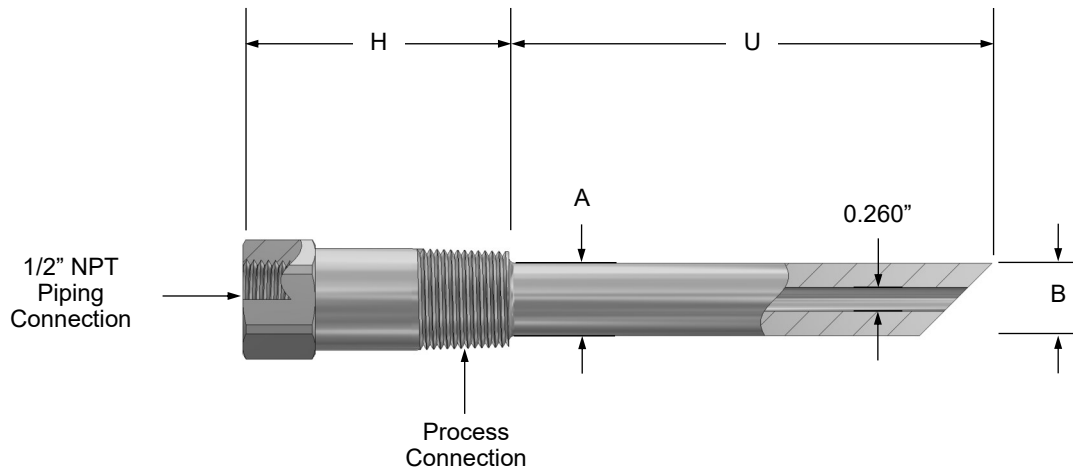
T1	Process Connection	"A" (Root)	"B" (Tip)
1/2	1/2" NPT	0.500"	0.500"
3/4	3/4" NPT	0.750"	0.750"
1	1" NPT	0.750"	0.750"

T2	Material		
304	304/304L stainless	800	Incoloy 800
316	316/316L stainless	F51	Duplex 2205
310	310 stainless steel	LF2	A350 LF2
600	Inconel 600	HAC	Hastelloy C276
625	Inconel 625	Other ²	Consult factory

T3	Specify "H" Head Length (inches)
"inches"	Specify length in inches (minimum 1.75")

T4	Specify "U" Length (inches)
"inches"	Specify length in inches

Outline & Dimensions



NOTES:

1. Part number example: SL227-3/4-316-4-2.5
2. Canadian Registration Number (CRN) available for most common alloys, consult factory

