

# SL347 Tapered 0.385" Bore Lag Quill

## Model Code

SL347 - T1 - T2 - T3 - T4

### SL347 Tapered - 0.385" Bore - Lag - Threaded Quill

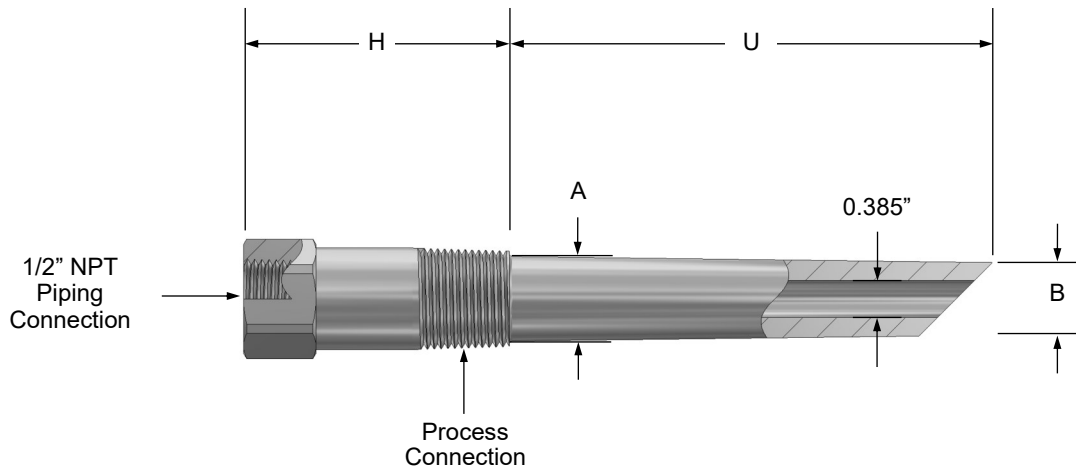
T1	Process Connection	"A" (Root)	"B" (Tip)
3/4	3/4" NPT	0.875"	0.750"
1	1" NPT	1.063"	0.750"

T2	Material		
304	304/304L stainless	800	Incoloy 800
316	316/316L stainless	F51	Duplex 2205
310	310 stainless steel	LF2	A350 LF2
600	Inconel 600	HAC	Hastelloy C276
625	Inconel 625	Other <sup>2</sup>	Consult factory

T3	Specify "H" Head Length (inches)
"inches"	Specify length in inches (minimum 1.75")

T4	Specify "U" Length (inches)
"inches"	Specify length in inches

## Outline & Dimensions



### NOTES:

1. Part number example: SL347-3/4-316-2.5
2. Canadian Registration Number (CRN) available for most common alloys, consult factory

