

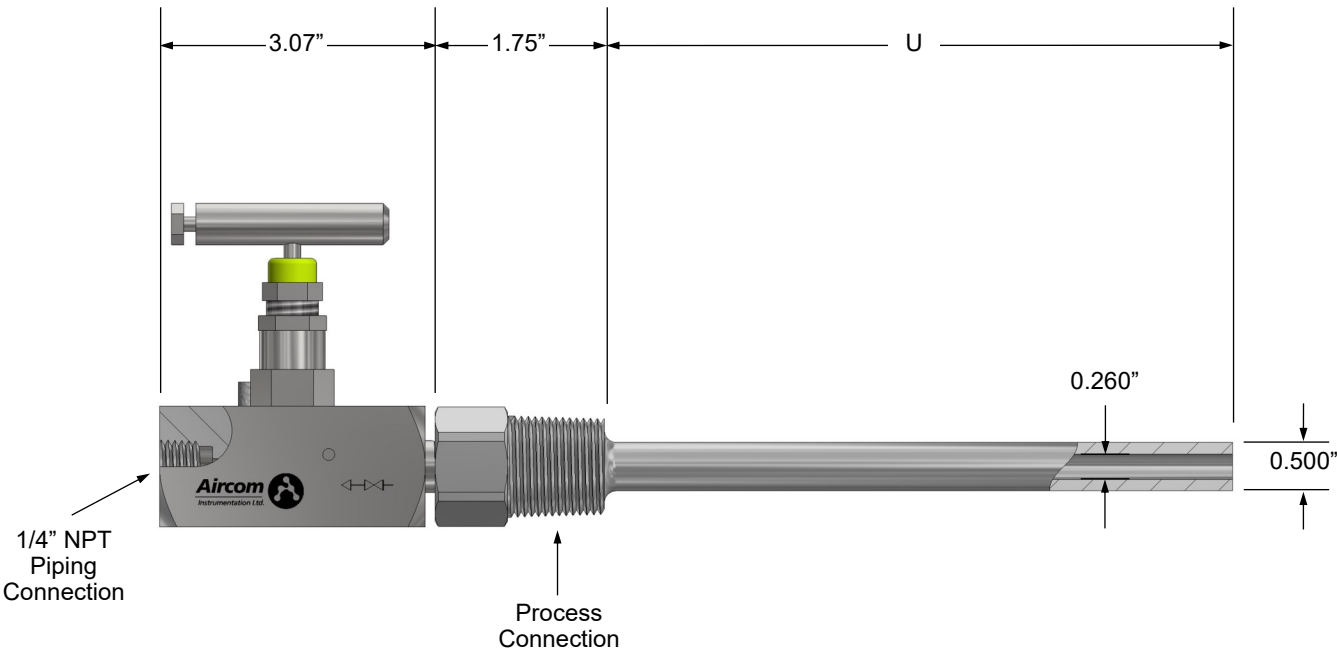
### Model Code

ASQ - T1 - T2

ASQ	Aircom Sample Quill
T1	Process Connection
12	1/2" NPS
34	3/4" NPS
10	1" NPS

T2	Quill "U" Length (inches)
1"	Minimum
12"	Maximum

### Outline & Dimensions



**NOTES:**

1. Part number example: ASQ-34-8
2. Needle valve is threaded to sample quill
3. Materials for needle valve and sample quill are 316/316L stainless steels and meet the requirements of NACE upon request
4. Maximum allowable working pressure: 6000psi
5. PTFE packing material on needle valve
6. Canadian Registration Number (CRN) available on quill and valve components

