

# AQ53 Threaded Sample Quill

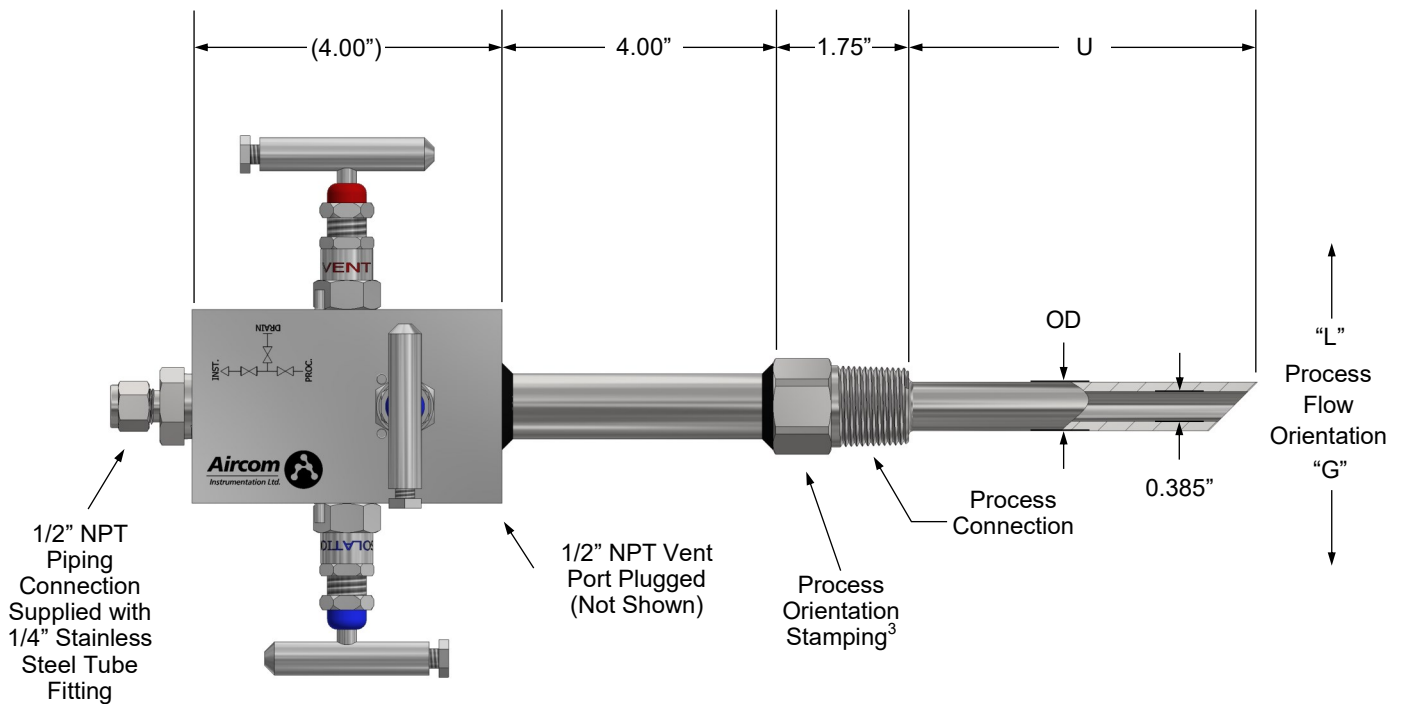
## Model Code

AQ53 - T1 - T2 - T3

<b>AQ53</b>	<b>Sample Quill - 0.385" Bore - Threaded to Process</b>	
	Double Block & Bleed Needle Valve - 316/316L	
<b>T1</b>	<b>Process Connection Thread Size</b>	<b>Shank OD</b>
12	1/2" NPT	0.500"
34	3/4" NPT	0.750"
10	1" NPT	0.750"

<b>T2</b>	<b>Specify "U" Length (inches)</b>
"inches"	Specify length in inches
<b>T3</b>	<b>Process Flow Orientation</b>
G	Into back wall of shank
L	Into 45°

## Outline & Dimensions



Double Block & Bleed Valve Specifications	
Valve configuration	Needle (isolation) - Needle (vent) - Needle (isolation)
Piping connection	1/2" NPT(F)
Seat diameter	5mm
Vent port	1/2" NPT(F) port (plugged)
Wetted material & body	316/316L Stainless Steel
Packing material	Graphoil (-57* to 530°C) *Packing material only
Pressure / temperature rating	6,000 psig @ -20°F to +100°F (-29°C to +38°C) / 3030 psi @ 986°F (530°C)
Valve design	B16.34
Valve manufacturer	Mac-Weld Machining Ltd.

## NOTES:

1. Part number example: AQ53-34-8-G
2. Quill, nipple and valve material is 316/316L stainless steel
3. Quill orientation to process flow will be stamped with an arrow on hex side
4. Consult factory for Canadian Registration Number (CRN) information

