

SW24 Socket Weld 0.260" Bore Thermowell

Model Code

SW24 - T1 - T2 - T3 - T4

SW24 Tapered - 0.260" Bore - Socket Weld

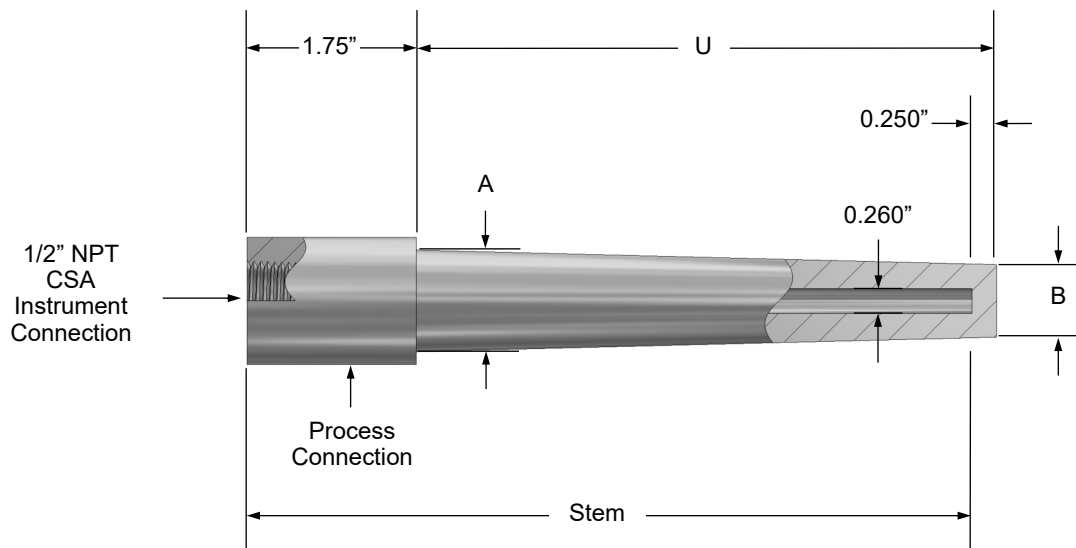
T1	Process Connection	Nominal Pipe OD
3/4	3/4" NPS	1.050"
1	1" NPS	1.315"
Other Consult factory		

T2	Rating
3	Class 3000
6	Class 6000 ²

T3	Material
304	304/304L stainless 800 Incoloy 800
316	316/316L stainless F51 Duplex 2205
310	310 stainless steel LF2 A350 LF2
600	Inconel 600 HAC Hastelloy C276
625	Inconel 625 Other ³ Consult factory

T4	Specify "U" Length (inches)
"inches"	Specify length in inches

Outline & Dimensions



Process Connection	"A" (Root OD)		"B" (Tip OD)
	CL 3000	CL 6000	
3/4" NPS	0.813"	0.609" ²	0.609"
1" NPS	0.875"	0.750" ²	0.750"

Special option codes specified as come complete with (c/w) thermowell if required

Code	Description
SSPC	Stainless steel plug and chain
BRPC	Brass plug and chain
OVRL	Overlay (details to be specified)

NOTES:

1. Part number example: SW24-3/4-3-316-6 or SW24-1-6-LF2-4.5 c/w SSPC
2. 6000# are manufactured with a straight shank to accommodate standard mating socket weld connections
3. Canadian Registration Number (CRN) available for most common alloys, consult factory

