

SL22 Straight 0.260" Bore Lag Thermowell

Model Code

SL22 - T1 - T2 - T3 - T4

SL22 Straight - 0.260" Bore - Lag - Threaded

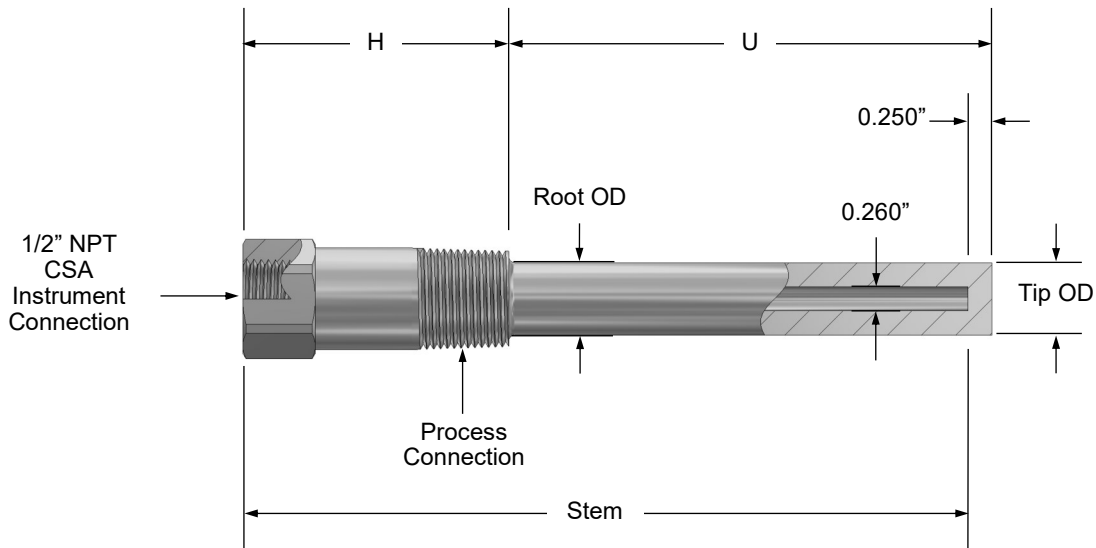
T1	Process Connection	"A" (Root)	"B" (Tip)
1/2	1/2" NPT	0.500"	0.500"
3/4	3/4" NPT	0.750"	0.750"
1	1" NPT	0.750"	0.750"
Other	Consult factory		

T2	Material		
304	304/304L stainless	800	Incoloy 800
316	316/316L stainless	F51	Duplex 2205
310	310 stainless steel	LF2	A350 LF2
600	Inconel 600	HAC	Hastelloy C276
625	Inconel 625	Other ²	Consult factory

T3	Specify "H" Head Length (inches)
"inches"	Specify length in inches (minimum 1.75")

T4	Specify "U" Length (inches)
"inches"	Specify length in inches

Outline & Dimensions



Special option codes specified as come complete with (c/w) thermowell if required

Code	Description
SSPC	Stainless steel plug and chain
BRPC	Brass plug and chain
OVRL	Overlay (details to be specified)

NOTES:

1. Part number example: SL22-1/2-316-2-2.5 or SL22-3/4-316-2.5-3.5 c/w SSPC
2. Canadian Registration Number (CRN) available for most common alloys, consult factory

