

TW52 Straight 0.512" Bore Thermowell

Model Code

TW52 - T1 - T2 - T3

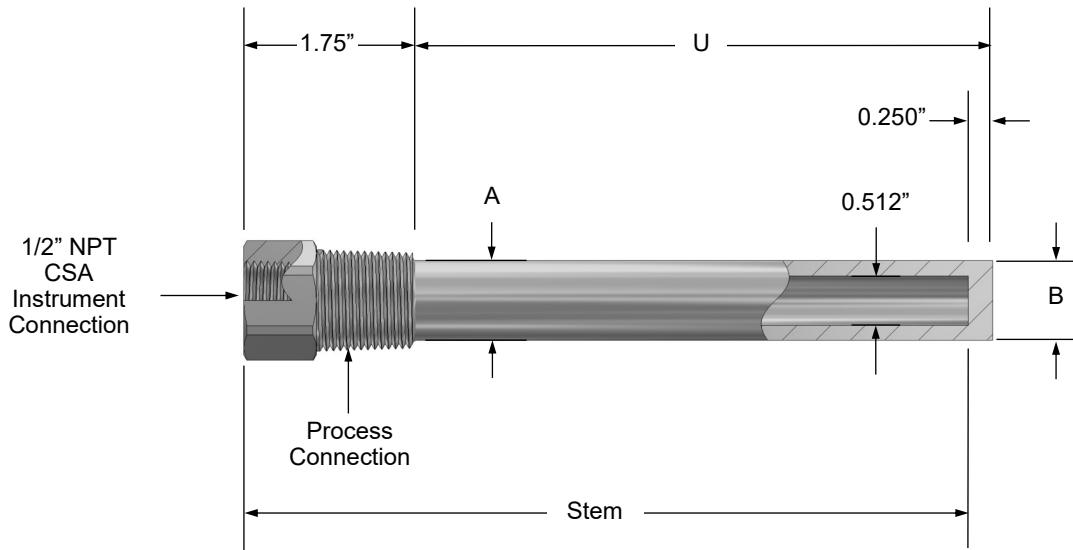
TW52 Straight - 0.512" Bore - Threaded

T1	Process Connection	"A" (Root)	"B" (Tip)
3/4	3/4" NPT	0.875"	0.875"
1	1" NPT	1.000"	1.000"
Other Consult factory			

T2	Material		
304	304/304L stainless	800	Incoloy 800
316	316/316L stainless	F51	Duplex 2205
310	310 stainless steel	LF2	A350 LF2
600	Inconel 600	HAC	Hastelloy C276
625	Inconel 625	Other ²	Consult factory

T3	Specify "U" Length (inches)
"inches"	Specify length in inches

Outline & Dimensions



Special option codes specified as come complete with (c/w) thermowell if required

Code	Description
SSPC	Stainless steel plug and chain
BRPC	Brass plug and chain
OVRL	Overlay (details to be specified)

NOTES:

- Part number example: TW52-3/4-316-3 or TW52-3/4-316-6 c/w SSPC
- Canadian Registration Number (CRN) available for most common alloys, consult factory

