

B24 Tapered 0.260" Bore Thermowell

Model Code

B24 - T1 - T2 - T3

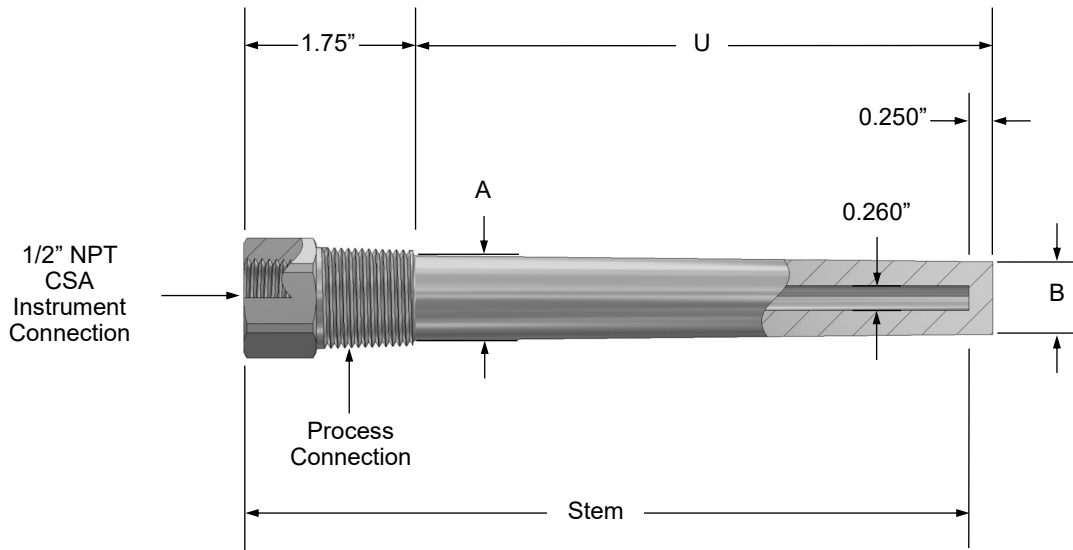
B24 Tapered - 0.260" Bore - Threaded - Reduced Tip

T1	Process Connection	"A" (Root)	"B" (Tip)
3/4	3/4" NPT	0.875"	0.625"
1	1" NPT	1.063"	0.625"
Other	Consult factory		

T2	Material		
304	304/304L stainless	800	Incoloy 800
316	316/316L stainless	F51	Duplex 2205
310	310 stainless steel	LF2	A350 LF2
600	Inconel 600	HAC	Hastelloy C276
625	Inconel 625	Other ²	Consult factory

T3	Specify "U" Length (inches)
"inches"	Specify length in inches

Outline & Dimensions



Special option codes specified as come complete with (c/w) thermowell if required

Code	Description
SSPC	Stainless steel plug and chain
BRPC	Brass plug and chain
OVRL	Overlay (details to be specified)

NOTES:

1. Part number example: B24-1-316-4.5 or B24-3/4-316-2.5 c/w SSPC
2. Canadian Registration Number (CRN) available for most common alloys, consult factory

